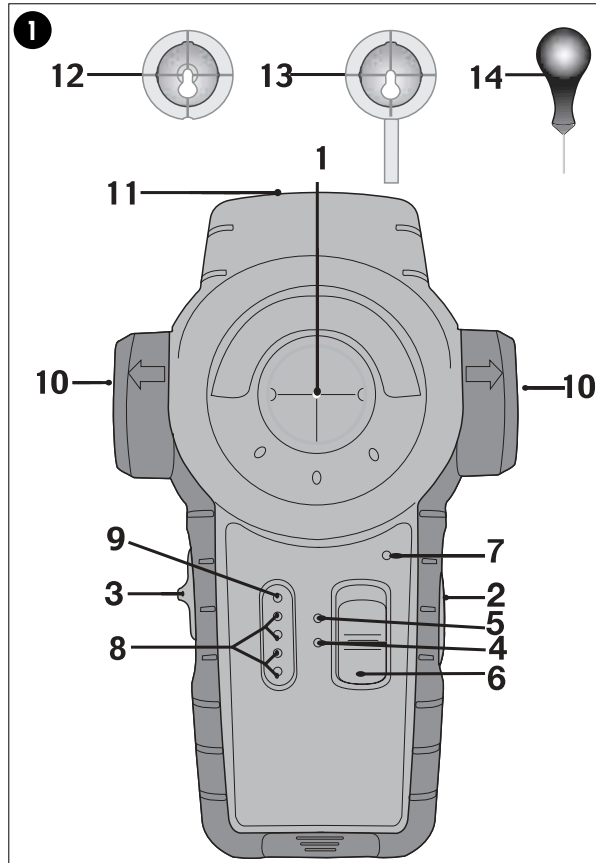
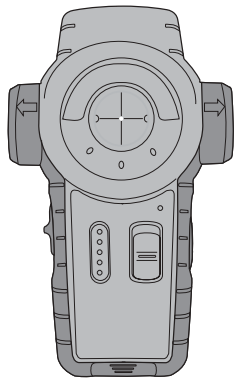




Bullseye™ Laser Level / Stud - Metal - AC Wiring Sensor

INSTRUCTION MANUAL

Catalog No. BDL110S



FEATURES

- 1.) Marking/Hanging Insert
- 2.) Detector Button
- 3.) Laser On/Off Button
- 4.) Metal Position
- 5.) Stud Position
- 6.) Slide Switch
- 7.) AC Wire Indicator LED
- 8.) Red LED's (Light Emitting Diodes)
- 9.) Green LED
- 10.) Self-Leveling Laser Lines
- 11.) Battery Compartment Cover
- 12.) Hanging Insert (keyhole)
- 13.) Spacer Insert
- 14.) Drywall Pin

BEFORE RETURNING THIS PRODUCT FOR ANY REASON PLEASE CALL

1-800-54-HOW-TO (544-6986)

IF YOU SHOULD EXPERIENCE A PROBLEM WITH YOUR BLACK & DECKER PRODUCT, CALL 1-800-54-HOW-TO (544-6986)

BEFORE YOU CALL, HAVE THE FOLLOWING INFORMATION AVAILABLE, CATALOG No., TYPE No., AND DATE CODE (e.g. 20000130M). IN MOST CASES, A BLACK & DECKER REPRESENTATIVE CAN RESOLVE YOUR PROBLEM OVER THE PHONE. IF YOU HAVE A SUGGESTION OR COMMENT, GIVE US A CALL. YOUR FEEDBACK IS VITAL TO BLACK & DECKER.

SAVE THIS MANUAL FOR FUTURE REFERENCE.

VEA EL ESPAÑOL EN LA CONTRAPORTADA.

INSTRUCTIVO DE OPERACIÓN, CENTROS DE SERVICIO Y PÓLIZA DE GARANTÍA. ADVERTENCIA: LÉASE ESTE INSTRUCTIVO ANTES DE USAR EL PRODUCTO.

Cat No. BDL110S Form # 588032-00 (MAR-04) Copyright © 2004 Black & Decker Printed in China

⚠ WARNING: Read and understand all instructions. Failure to follow all instructions listed below may result in electric shock, fire and/or serious personal injury.

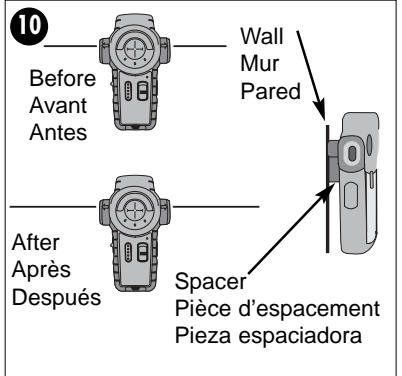
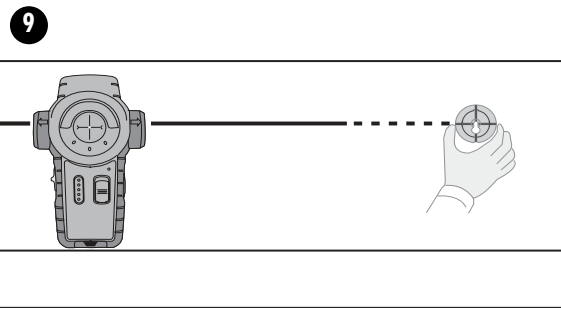
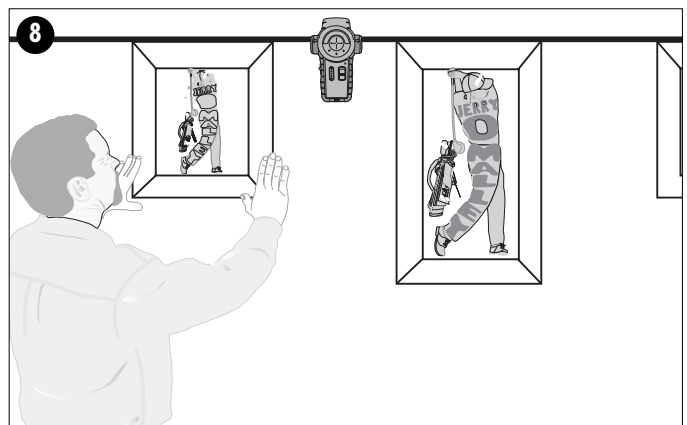
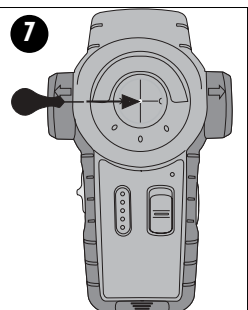
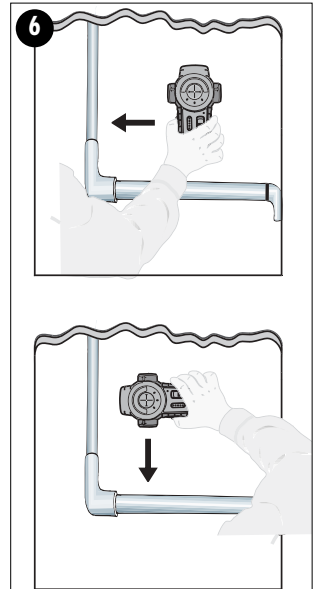
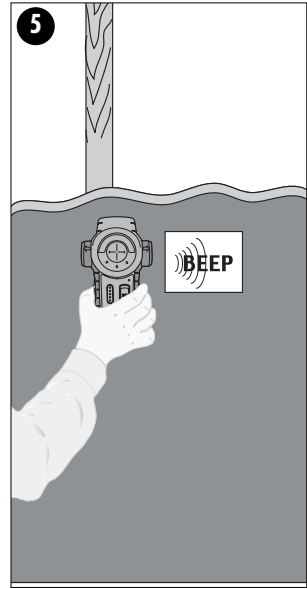
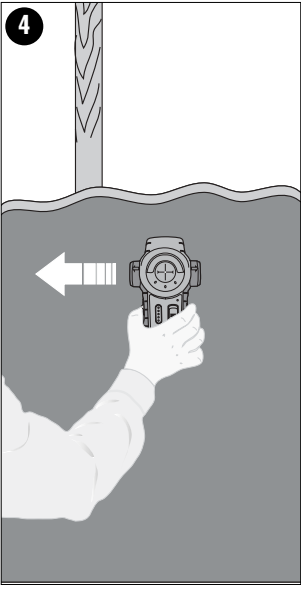
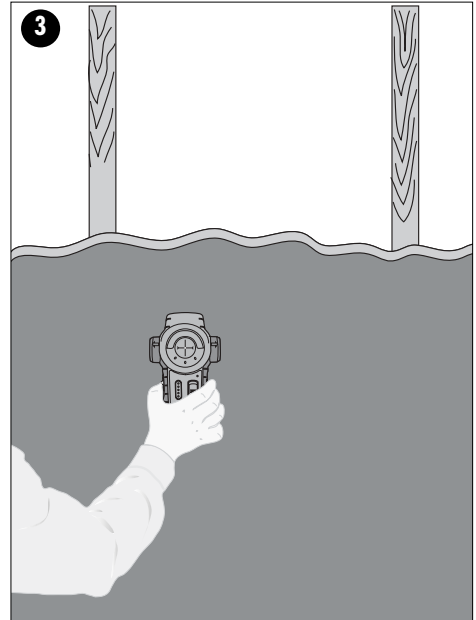
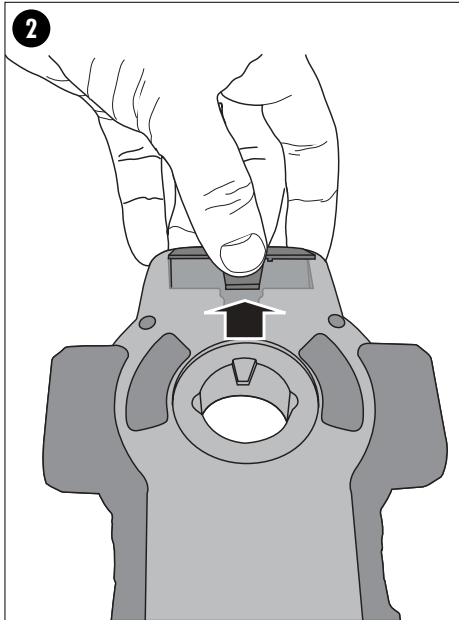
SAVE THESE INSTRUCTIONS

Safety Instructions

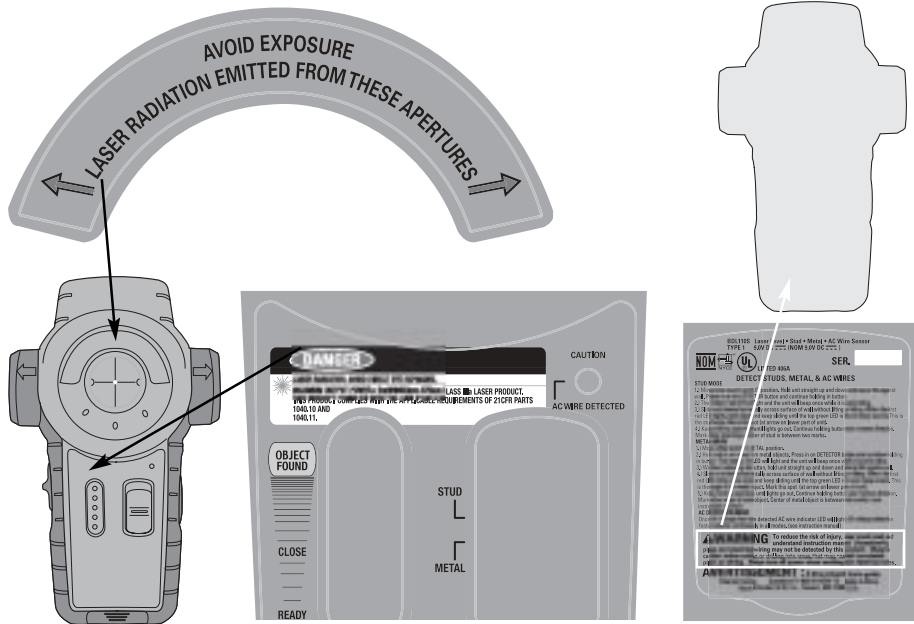
- Do not operate the laser in explosive atmospheres, such as in the presence of flammable liquids, gases, or dust.
- Use the laser only with the specifically designated batteries. Use of any other batteries may create a risk of fire.
- Store idle laser out of reach of children and other untrained persons. Lasers are dangerous in the hands of untrained users.
- Use only accessories that are recommended by the manufacturer for your model. Accessories that may be suitable for one laser, may create a risk of injury when used on another laser.
- Do not use optical tools such as a telescope or transit to view the laser beam. Serious eye injury could result.
- Do not place the laser in a position which may cause anyone to intentionally or unintentionally stare into the laser beam. Serious eye injury could result
- Turn the laser off when it is not in use. Leaving the laser on increases the risk of staring into the laser beam.
- Repairs and servicing MUST be performed by a qualified repair facility. Repairs performed by unqualified personnel could result in serious injury.
- **⚠ WARNING: DO NOT DISASSEMBLE THE LASER.** There are no user serviceable parts inside. Disassembling the Laser will void all warranties on the product. Do not modify the product in any way. Modifying the tool may result in Hazardous Laser Radiation Exposure.
- Do not operate the laser around children or allow children to operate the laser. Serious eye injury may result.
- Do not remove or deface warning labels. Removing labels increases the risk of exposure to radiation.
- Position the laser securely. Damage to the laser or serious injury could result if the laser falls.
- **⚠ CAUTION:** Occasionally, pipes and electrical wiring may not be detected by this product. The sensor will not detect hot wires inside metal pipe or metal conduit, behind metallic wall covering, or behind some plywood or other dense materials.
- **⚠ CAUTION:** Material thickness, type of material, moisture content, and other variables can effect sensing results. The sensor may detect electric wiring or pipes in the same manner that studs are detected depending on their location to the wall surface. Use caution when drilling, nailing or cutting into walls, floors and ceilings which may contain electrical wiring or pipes. These items may be detected by the sensor in the same manner in which studs are detected. Because studs are normally spaced 16 inches (406 mm) or 24 inches (610 mm) apart and are usually 1-1/2 inches (38 mm) wide, beware of anything closer together or of a different width. **Always turn off the power when working near electrical wires.**
- **⚠ CAUTION:** Use of controls or adjustments or performance of procedures other than those specified in this manual may result in hazardous laser radiation exposure.
- This product is intended for use in a temperature range of 41°F(5°C) - 104°F(40°C).

The label on your tool may include the following symbols.

Vvolts mWmilliwatts
 nmwavelength in nanometers IIIaClass IIIa Laser



For your convenience and safety, the following labels are on your laser.



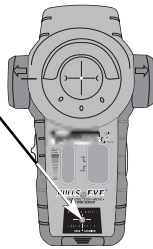
Installing the Battery

Ensure laser on/off switch is in the full off position. Remove the battery compartment cover (11) by pressing down on the center of the cover as shown in **Figure 2** and pulling back. Insert a fresh 9 volt battery making sure to match (+) and (-) terminals correctly. Replace the battery compartment cover.

Operating Instructions

Scanning

Sensing elements for all modes of use are located in the lower part of the unit.



Stud Mode

For stud sensing through up to 3/4 inch (19mm) thick drywall.

- 1.) Move slide switch (6) to STUD position (5). Hold unit straight up and down and place flat against wall as shown in **Figure 3**. Press in on the detector button (2) and continue holding in button.
- 2.) The bottom red LED (8) will light and the unit will beep once while it is calibrating.
- 3.) Slide unit slowly, **Figure 4**, horizontally across surface of wall without lifting or tilting. When the first red LED lights, slow down and keep sliding until the top green LED (9) is lit and beep sounds as shown in **Figure 5**. This is the stud edge. Mark this spot (at arrow on lower part of unit).
- 4.) Keep moving past mark until lights go out. Continue holding button and reverse direction. Mark other stud edge. Center of stud is between two marks.

Metal Mode

For metal (iron, etc.) sensing up to 2 inches (51mm) thick drywall. For metal (copper, etc.) sensing up to 1 inch (25mm) thick drywall.

- 1.) Move slide switch (6) to METAL position (4).
- 2.) Hold unit in air away from metal objects. Press in on detector button (2) and continue holding in button. The bottom red LED (8) will light and the unit will beep once while it is calibrating.
- 3.) Without releasing the button, hold unit straight up and down and place flat against wall as shown in **Figure 3**.
- 4.) Slide unit slowly, **Figure 4**, horizontally across surface of wall without lifting or tilting. When the first red LED lights, slow down and keep sliding until the top green LED (9) is lit and beep sounds as shown in **Figure 5**. This is the edge of the metal object. Mark this spot (at arrow on lower part of unit).
- 5.) Keep moving past mark until lights go out. Continue holding button and reverse direction. Mark other edge of metal object. Center of metal object is between two marks.

Note: Because metal pipes or objects can be oriented both vertically and horizontally behind a wall, you should scan both vertically and horizontally as shown in Figure 6.

AC Detection Mode

The sensor detects AC voltage and will identify only live wires. AC voltage detection feature works continuously in all modes. It assists in identifying when the sensor is near live AC wiring and detector button (2) is depressed. Once AC voltage has been detected AC wire indicator LED (7) will light.

If the unit is calibrated close to AC wire, it may decrease AC wiring sensor sensitivity. Static charge may spread detection 12 inch (30.4cm) on both sides of wire.

WARNING: Occasionally, pipes and electrical wiring may not be detected by this product.

Observe caution when cutting or drilling into areas that may contain concealed pipes or wiring. The sensor will not detect live wires inside metal pipe or metal conduit, behind metallic wall covering, or behind some plywood or other dense materials. Use caution if area has plywood, thick wood backing behind drywall, or thicker than normal walls.

WARNING: Always turn off the power when working near electrical wires, electric shock may result.

Laser

Place unit flat against wall as shown in **Figure 3**. Push up on the laser on/off button (3) to activate the self-leveling laser lines. To hang the unit on the wall, push pin (14) through marking insert into drywall as shown in **Figure 7**. When pressing pin into drywall, make sure it is straight and seated firmly in the marking insert and that the unit is secure on the wall.

CAUTION: Pin is sharp and should be handled with care. **NOTE:** The drywall pin can only be used with the marking insert (1), and is only for drywall. NOT other surfaces including plaster. For surfaces other than drywall, the (key hole) hanging insert (12) can be used with a standard screw or nail in a predrilled hole. Make sure it is straight and seated firmly in the insert and that the unit is secure on the wall. The drywall pin should always be pushed in by hand and never driven by a hammer. To remove the insert, push it out from the front side of the unit.

Figure 8 illustrates a typical application for the Bullseye Laser Level when it is wall mounted. When visibility is poor or when using laser outdoors, use the marking insert (1) to enhance the laser line as shown in **Figure 9**. To extend the line, use the spacer insert (13) which is shown in **Figure 10**. **NOTE:** Because the spacer insert keeps the unit farther from the wall, the stud sensor can not be used when using the spacer insert.

DANGER: Laser Radiation, avoid direct eye exposure.

Helpful Hints

- If the laser light becomes dim or is no longer visible when the switch is in the on position check or change the battery.
- The laser lines are only level on the wall against which the unit is held or hung. The short line visible on any adjacent wall is not level.
- The laser unit is a wall use tool only and only generates level lines when held against a vertical surface.
- The laser unit is equipped with a self leveling pendulum lock that stops pendulum motion when the laser on/off switch is moved to the off position.
- If the laser on/off switch is pushed part way to the on position, the laser lines may be on while the pendulum lock is still engaged.
- Hold stud sensor straight up and down.
- Because studs are normally spaced 16 inches or 24 inches apart and are 1-1/2 inches wide, beware of anything closer together or of a different width. Doors and windows are constructed with studs and headers which are closer together.
- **Avoid materials which have inconsistent density such as:**
 - Carpeting and padding
 - Ceramic floor tile
 - Wallpaper containing metallic foils or fibers. Generally, surfaces covered with regular wallpaper or fabric will scan with no difference in function.
 - Walls that are freshly painted and are still damp.
 - Excessively thick plaster and lath.

TROUBLESHOOTING

| Problem | Possible Cause | Solution |
|--------------------------------------------------------|---------------------------------------------------------------------------------------------------------------------------------------------------------------------------------------------------------------------------------------------------------------------------------------------------------------------------|--------------------------------------------------------------------------------------------------------------------------------------------------------------------------------------|
| • LEDs do not light. | • Weak battery. • Nothing to detect in that area. • Check mode. May have been calibrated over a stud. | • Replace with fresh battery. • Start again moving farther to either side. |
| • LED lights and sound stay on. | • Wall thickness is over 3/4 inch thick. | • Thickness must be less than 3/4 inch to calibrate and work properly. |
| • LEDs light in too many places. | • Detects other objects besides studs. • Electrical wiring and metal or plastic pipes may be near or touching back surface of wall. | • Because studs are normally spaced 16 inches or 24 inches apart and are 1-1/2 inches wide, beware of anything closer together or of a different width. |
| • Laser does not project on wall. | • Weak battery. • The self leveling range of the unit is +/-5 degrees, if the unit is not held within 5 degrees of vertical, the laser lines will not project on wall. | • Replace with fresh battery. • Be sure that the unit is as straight up and down as possible. |
| • Laser projects on wall but lines are not level. | • Wall on which the unit is mounted or held must be within +/- 5 degrees of vertical for the self leveling mechanism to function correctly. If this is exceeded, the lines will still project but may not be level. • The laser on/off switch must be pushed to the full on position. | • Use the unit against vertical walls only, lines will not be level on sloped walls or other non-vertical surfaces. • Be sure laser on/off switch is in the full on position. |
| • Difficulty detecting metal. | • Weak battery. • Unit calibrated over metal. • Metal objects are too deep. | • Replace with fresh battery. • Avoid calibrating over metal and always calibrate in the air for best sensitivity. |
| • You suspect electrical wires, but do not detect any. | • Weak battery. • If wires are shielded behind metallic wall coverings, or in metal conduit, the sensor will not be able to detect them. • The wires may not be "live". • Wires may be too deep to sense. • Use caution if area has plywood, thick wood backing behind drywall, or thicker than normal walls. | • Replace with fresh battery. • If a switch controls an outlet, make sure the it is ON for detection. |

WARNING: Always turn off the power when working near electrical wires.

Storage

Always store this product indoors and in its protective case.

Maintenance

Use only mild soap and damp cloth to clean the tool. Never let any liquid get inside the tool; never immerse any part of the tool into a liquid.

IMPORTANT: To assure product SAFETY and RELIABILITY, repairs, maintenance and adjustment (other than those listed in this manual) should be performed by authorized service centers or other qualified service organizations, always using identical replacement parts.

Accessories

Recommended accessories for use with your tool are available from your local dealer or authorized service center. If you need assistance regarding accessories, please call:

1-800-54-HOW-TO (544-6986).

WARNING: The use of any accessory not recommended for use with this tool could be hazardous.

FCC Warning

This device complies with part 15 of the FCC Rules. Operation is subject to the following two conditions:

- (1) This device may not cause harmful interference, and
- (2) This device must accept any interference received, including interference that may cause undesirable operation.

Service Information

All Black & Decker Service Centers are staffed with trained personnel to provide customers with efficient and reliable power tool service. Whether you need technical advice, repair, or genuine factory replacement parts, contact the Black & Decker location nearest you. To find your local service location, refer to the yellow page directory under "Tools—Electric" or call: **1-800-54-HOW TO. (544-6986)**

Full Two-Year Home Use Warranty

Black & Decker (U.S.) Inc. warrants this product for two years against any defects in material or workmanship. The defective product will be replaced or repaired at no charge in either of two ways.

The first, which will result in exchanges only, is to return the product to the retailer from whom it was purchased (provided that the store is a participating retailer). Returns should be made within the time period of the retailer's policy for exchanges (usually 30 to 90 days after the sale). Proof of purchase may be required. Please check with the retailer for their specific return policy regarding returns that are beyond the time set for exchanges.

The second option is to take or send the product (prepaid) to a Black & Decker owned or authorized Service Center for repair or replacement at our option. Proof of purchase may be required. Black & Decker owned and authorized Service Centers are listed under "Tools—Electric" in the yellow pages of the phone directory.

This warranty does not apply to accessories. This warranty gives you specific legal rights and you may have other rights which vary from state to state. Should you have any questions, contact the manager of your nearest Black & Decker Service Center. This product is not intended for commercial use.

FREE WARNING LABEL REPLACEMENT: If your warning labels become illegible or are missing, call **1-800-544-6986** for a free replacement.

Imported by
Black & Decker (U.S.) Inc.,
701 E. Joppa Rd.
Towson, MD 21286 U.S.A.



See 'Tools-Electric'
- Yellow Pages -
for Service & Sales



GUIDE D'UTILISATION

No de catalogue BDL110S

**SI VOUS ÉPROUVEZ UN
PROBLÈME AVEC L'OUTIL,
COMPOSEZ LE 1 800 544-6986.**

AVANT D'APPELER, VEUILLEZ VOUS ASSURER D'AVOIR L'INFORMATION SUIVANTE À PORTÉE DE LA MAIN : LE NUMÉRO DE CATALOGUE, LE NUMÉRO DE PRODUIT ET LE CODE DE DATATION (p. ex., 20000130M). DANS LA MAJORITÉ DES CAS, LE REPRÉSENTANT DE BLACK & DECKER SERA EN MESURE DE RÉSOUDRE LE PROBLÈME PAR TÉLÉPHONE. VEUILLEZ NOUS FAIRE PART DE VOS QUESTIONS OU DE VOS COMMENTAIRES EN COMPOSANT LE MÊME NUMÉRO; CEUX-CI AIDENT À ASSURER LA QUALITÉ DE NOTRE SERVICE.

AVERTISSEMENT : Lire, comprendre et suivre toutes les directives précisées ci-dessous afin d'éviter les risques de choc électrique, d'incendie ou de blessure grave.

CONSERVER CES DIRECTIVES

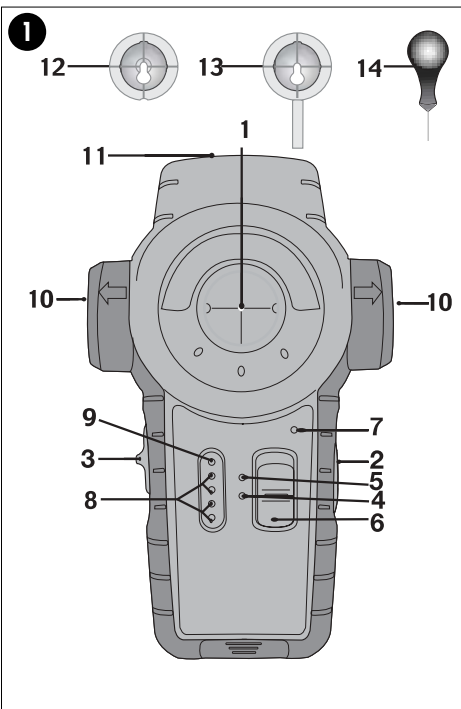
Consignes de sécurité

- Ne pas utiliser le laser dans une atmosphère explosive, comme en présence de liquide, de gaz ou de poussière inflammable.
- N'utiliser que des piles spécialement conçues pour les lasers; l'usage de tout autre type de pile pourrait entraîner des risques d'incendie.
- Lorsqu'on n'utilise pas le laser, le ranger hors de la portée des enfants ou des personnes non qualifiées; les lasers sont dangereux entre les mains de personnes inexpérimentées.
- N'utiliser que les accessoires recommandés par le fabricant pour le modèle concerné; un accessoire destiné à un laser particulier peut devenir dangereux lorsqu'il est utilisé avec un autre.
- Ne pas utiliser un dispositif optique, tel qu'un télescope ou une lunette de passage, pour examiner le faisceau laser afin d'éviter de blesser grièvement les yeux.
- Ne pas mettre le laser dans une position qui pourrait encourager une personne à regarder directement le faisceau laser, volontairement ou involontairement, car cela pourrait blesser grièvement les yeux.
- Mettre le laser hors tension après chaque utilisation, car un laser laissé sous tension encourage une personne à regarder directement le faisceau laser.
- La réparation et l'entretien DOIVENT être effectués dans un centre de service autorisé ou par du personnel qualifié; toute opération d'entretien ou de réparation effectuée par une personne non qualifiée pourrait entraîner des blessures graves.
- **AVERTISSEMENT : NE PAS DÉMONTÉ LE LASER.** L'outil ne comprend aucune pièce interne destinée à être entretenue par l'utilisateur. Le fait de démonter ce laser annulera toute garantie appuyant ce produit; on ne doit jamais modifier ce dernier de quelque manière que ce soit afin d'éviter d'entraîner des risques d'exposition aux rayonnements.
- Ne pas utiliser le laser en présence d'un enfant, ni autoriser les enfants à utiliser le laser afin d'éviter les blessures graves aux yeux.
- Ne pas retirer ni abîmer les étiquettes d'avertissement; le fait de retirer les étiquettes augmentera les risques d'exposition aux rayonnements laser.
- S'assurer de bien déposer le laser sur une surface de niveau afin de l'empêcher de tomber et de s'endommager ou de blesser l'utilisateur.
- **MISE EN GARDE** : Il peut arriver, à l'occasion, que l'outil ne détecte pas les tuyaux ou les fils électriques. L'outil ne détectera pas les fils chauds protégés à l'intérieur d'un tuyau ou d'un conduit en métal ou dissimulés derrière un couvre-mur en métal ou un matériau épais tel que le contreplaqué.
- **MISE EN GARDE** : L'épaisseur du matériau, le type de matériau, le taux d'humidité ou d'autres facteurs peuvent influencer les résultats obtenus. Le localisateur de montants peut détecter des tuyaux ou des fils électriques, comme il le fait pour des montants, selon leur emplacement par rapport à la surface du mur. On doit faire particulièrement attention lorsqu'on perce un trou, qu'on enfonce un clou ou qu'on effectue une coupe dans un mur, un plancher ou un plafond pouvant camoufler des fils électriques ou des tuyaux. Puisque l'outil peut en effet détecter ces éléments comme s'il s'agissait de montants, il faut faire preuve d'une grande prudence lorsqu'on perce un trou, qu'on enfonce un clou ou qu'on effectue une coupe dans un mur, un plancher ou un plafond pouvant camoufler des tuyaux ou des fils électriques. Puisque l'espace entre chaque montant varie généralement entre 406 et 610 mm (16 et 24 po), et que ceux-ci mesurent près de 38 mm (1 1/2 po) de largeur, il faut tenir compte du fait qu'ils sont peut-être plus rapprochés ou qu'ils sont de largeurs différentes. On doit toujours couper le courant lorsqu'on travaille à proximité de fils électriques.
- **MISE EN GARDE** : Le fait d'utiliser des commandes, d'effectuer des réglages ou de suivre des procédures autres que celles décrites aux présentes pourrait entraîner des risques d'exposition aux rayonnements.
- Ce produit est destiné à être utilisé dans une plage de température de 5 °C (41 °F) à 40 °C (104 °F).

L'étiquette apposée sur l'outil peut afficher les symboles suivants :

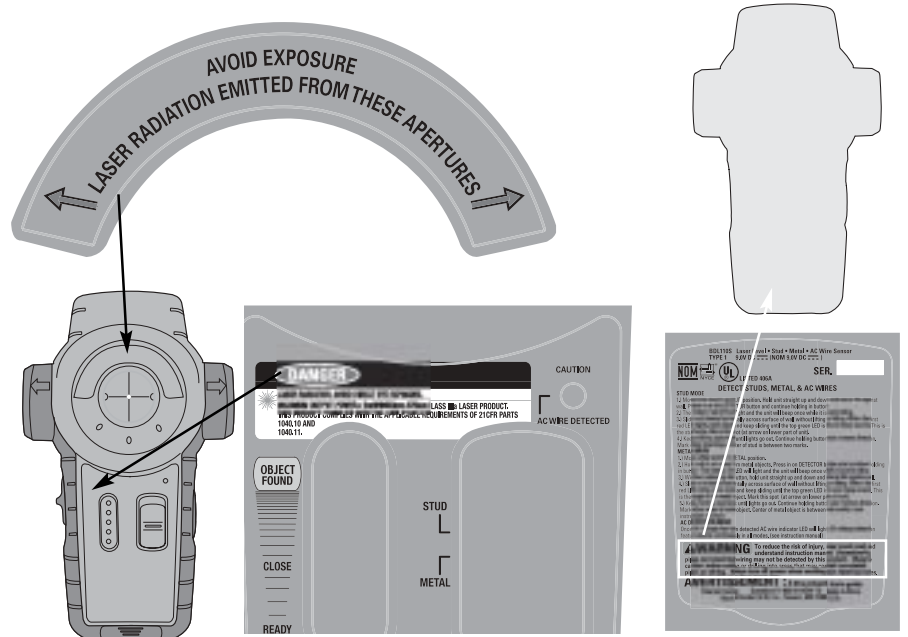
V.....volts mW.....milliwatts
nmlongueur d'onde exprimée Illalaser de classe IIIa
en nanomètres

COMPOSANTS



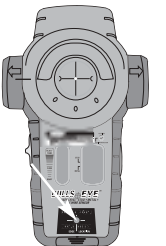
- 1) Pièce de marquage/suspension
- 2) Bouton du détecteur
- 3) Bouton marche-arrêt du laser
- 4) Position du métal
- 5) Position du montant
- 6) Interrupteur à glissière
- 7) Témoin à DEL de fil électrique c.a.
- 8) Témoin à DEL (diode électroluminescente) rouge
- 9) Témoin à DEL vert
- 10) Traits laser autoniveleurs
- 11) Couvercle du compartiment de la pile
- 12) Pièce de suspension (trou de repère)
- 13) Pièce d'espacement
- 14) Tige à cloison sèche

Pour des fins pratiques et de sécurité, le laser comprend les étiquettes d'avertissement suivantes.



Installation de la pile

S'assurer que l'interrupteur marche-arrêt du laser est bien enclenché en position d'arrêt. Retirer le couvercle du compartiment de la pile (11) en appuyant sur le centre du couvercle, tel qu'illustré à la figure 2, puis en le tirant. Insérer une pile complètement chargée de 9 volts, en s'assurant d'aligner les symboles des bornes positives («+») et négatives («-»); remettre le couvercle en place.



Mode d'emploi

Balayage

Les éléments détecteurs pour tous les modes d'utilisation sont situés dans la partie inférieure de l'unité.

Mode « Montant »

Mode servant à détecter les montants dans les cloisons sèches ayant plus de 19 mm (3/4 po) de profondeur.

- 1.) Déplacer l'interrupteur à glissière (6) jusqu'à la position « STUD » (5). Tenir l'unité le plus possible à la verticale et la placer à plat contre le mur, tel qu'illustré à la figure 3. Enfoncer le bouton du détecteur (2); ne le relâcher qu'après avoir terminé.
- 2.) Le témoin à DEL rouge inférieur (8) s'allumera et l'outil émettra un signal sonore pour indiquer qu'il s'étalonne.
- 3.) Faire glisser lentement l'unité (figure 4) horizontalement le long du mur, sans le soulever ni l'incliner. Dès que le premier témoin à DEL rouge s'allume, ralentir le mouvement du balayage. Le témoin à DEL vert supérieur (9) s'allumera et l'outil émettra un signal sonore (figure 5) dès que l'outil atteindra le bord d'un montant. Tracer une marque à cet endroit (près de la flèche située sur la partie inférieure de l'unité).
- 4.) Poursuivre le balayage jusqu'à ce que tous les témoins s'éteignent. Maintenir le bouton enfoncé et reprendre le mouvement en sens inverse. Tracer une deuxième marque pour indiquer l'autre bord du montant. Le centre de ce dernier est situé entre ces deux repères.

Mode « Metal »

Mode servant à détecter les objets en métal situés dans des cloisons sèches ayant une profondeur allant jusqu'à 51 mm (2 po.) (dans le cas du fer, etc.), ou jusqu'à 25 mm (1 po.) (dans le cas du cuivre, etc.).

- 1.) Déplacer l'interrupteur à glissière (6) jusqu'à la position « METAL » (4).
- 2.) Éloigner l'unité des objets en métal. Enfoncer le bouton du détecteur (2); ne le relâcher qu'après avoir terminé. Le témoin à DEL rouge inférieur (8) s'allumera et l'outil émettra un signal sonore pour indiquer qu'il s'étalonne.
- 3.) Sans relâcher le bouton, tenir l'unité le plus possible à la verticale et la placer à plat contre le mur, tel qu'illustré à la figure 3.
- 4.) Faire glisser lentement l'unité (figure 4) horizontalement le long du mur, sans la soulever ni l'incliner. Dès que le premier témoin à DEL rouge s'allume, ralentir le mouvement du balayage. Le témoin à DEL vert supérieur (9) s'allumera et l'outil émettra un signal sonore (figure 5) dès que l'outil atteindra le bord d'un objet en métal. Tracer une marque à cet endroit (près de la flèche située sur la partie inférieure de l'unité).
- 5.) Poursuivre le balayage jusqu'à ce que tous les témoins s'éteignent. Maintenir le bouton enfoncé et reprendre le mouvement en sens inverse. Tracer une deuxième marque pour indiquer l'autre bord de l'objet en métal. Le centre de ce dernier est situé entre ces deux repères.

Remarque : Puisque les tuyaux en métal ou les objets situés derrière un mur peuvent être orientés tant à la verticale qu'à l'horizontale, on doit effectuer le balayage dans les deux sens, tel qu'illustré à la figure 6.

Mode « Detection c.a. »

L'outil détecte continuellement les fils à courant alternatif afin d'aviser l'utilisateur que des fils sous tension sont à proximité, quel que soit le mode utilisé, lorsque le bouton du détecteur (2) est enfoncé. Le témoin à DEL de fil électrique c.a. (7) s'allumera dès qu'un fil est détecté. Le fait d'étalonner l'outil à proximité d'un fil électrique c.a. réduit sa sensibilité puisque la présence d'une charge statique peut faire en sorte que l'outil indique la présence d'un fil à 30,4 cm (12 po) de chaque côté de son emplacement exact.

AVERTISSEMENT : Il peut arriver, à l'occasion, que l'outil ne détecte pas les tuyaux ou les fils électriques. Il faut faire preuve d'une grande prudence lorsqu'on coupe ou qu'on perce dans des endroits susceptibles de camoufler des tuyaux ou des fils. L'outil ne détectera pas les fils chauds protégés à l'intérieur d'un tuyau ou d'un conduit en métal ou dissimulés derrière un couvre-mur en métal ou un matériau épais tel que le contreplaqué. Faire preuve d'une grande prudence en présence de contreplaqué, de renforts en bois épais placés derrière une cloison ou un mur plus épais que d'habitude.

AVERTISSEMENT : Toujours couper le courant électrique avant de travailler à proximité de fils électriques afin d'éviter les risques de choc électrique.

Laser

Placer l'unité à plat contre un mur, tel qu'illustré à la figure 3, et enfoncer le bouton marche-arrêt du laser vers le haut (3) pour actionner les traits laser autoniveleurs. Pour suspendre l'unité au mur, insérer la tige (14) dans la pièce de marquage, puis dans la cloison sèche, tel qu'illustré à la figure 7. La tige doit être droite et bien ancrée dans la pièce de marquage, et doit tenir solidement l'unité au mur.

MISE EN GARDE : la tige est pointue et doit être manipulée prudemment.

REMARQUE : la tige de fixation murale ne peut être utilisée qu'avec la pièce de marquage (1), et que sur une cloison sèche (et NON sur d'autres surfaces comme le plâtre). En présence d'un autre type de surface, on peut utiliser le trou de repère de la pièce de suspension (12) avec une vis ou un clou ordinaire ayant été inséré dans un trou percé à l'avance. S'assurer que le clou (ou la vis) est droit et bien ancré dans la pièce de suspension, et qu'il tient solidement l'unité au mur. Si on utilise la tige fournie, celle-ci doit être insérée à la main et non au moyen d'un marteau. Pour la retirer, la pousser hors du trou, par l'avant de l'unité. La figure 8 illustre l'utilisation type du niveau laser Bullseye^{MC} fixé au mur.

Lorsque la visibilité est mauvaise ou lorsqu'on utilise le laser à l'extérieur, on doit se servir de la pièce de marquage (1) pour concentrer davantage le trait laser, tel qu'illustré à la figure 9. On peut prolonger le trait au moyen de la pièce d'espacement (13) illustrée à la figure 10.

REMARQUE : puisque la pièce d'espacement éloigne l'unité du mur, on ne peut pas l'utiliser avec le localisateur de montants.

DANGER : Rayonnement laser. Éviter les risques d'exposition oculaire.

Conseils pratiques

- Si le faisceau laser s'affaiblit ou devient presque invisible lorsque l'interrupteur est en position de marche, vérifier ou remplacer les piles.

- Le niveau indiqué par les traits laser n'est exact que si l'appareil repose ou est suspendu contre une surface verticale. Si les traits rejoignent aussi d'autres murs adjacents, ils ne seront pas nécessairement de niveau.
- Cette unité laser est un outil niveleur pour les murs seulement, et les traits laser qu'il émet ne peuvent être utilisés que pour des surfaces verticales.
- L'unité laser est munie d'un bloqueur de pendule autoniveleur qui freine le mouvement oscillatoire lorsque le bouton de l'unité est mis en position d'arrêt.
- On peut allumer les traits laser et actionner le bloqueur de pendule en déplaçant partiellement le bouton vers la position de marche (sans le pousser jusqu'au fond).
- Tenir le localisateur de montants le plus possible à la verticale.
- Puisque l'espace entre chaque montant varie généralement entre 406 et 610 mm (16 et 24 po), et que ceux-ci mesurent près de 38 mm (1 1/2 po) de largeur, il faut tenir compte du fait qu'ils sont peut-être plus rapprochés ou qu'ils sont de largeurs différentes. Les montants et les linteaux des portes et fenêtres sont plus rapprochés les uns des autres.
- **Éviter les matériaux ayant une densité inconsistante, tels que :**
 - les moquettes et les garnitures;
 - les tuiles en céramique;
 - le papier peint contenant des feuilles ou des fibres métalliques. Généralement, le balayage des surfaces recouvertes d'un papier peint ou d'un tissu ordinaire s'effectue normalement;
 - les murs fraîchement peints qui n'ont pas eu le temps de sécher;
 - le plâtre et les lattes ayant une épaisseur excessive.

GUIDE DE DÉPANNAGE

| Problème | Cause probable | Solution |
|---------------------------------------------------------------------------------------------------|-----------------------------------------------------------------------------------------------------------------------------------------------------------------------------------------------------------------------------------------------------------------------------------------------------------------------------------------------------------------------------------------------------------------------------------------------------------------|-----------------------------------------------------------------------------------------------------------------------------------------------------------------------------------------------------------------------------------------------------------------------|
| • Les témoins à DEL ne s'allument pas. | • La pile s'est affaiblie. • L'outil ne détecte aucun montant. • L'outil s'est étalonné alors qu'il était devant un montant. Vérifier le mode de balayage. | • Remplacer la pile par une pile bien chargée. • Recommencer le balayage en commençant plus loin pour couvrir une plus grande surface. |
| • Les témoins à DEL et le signal sonore restent allumés. | • L'épaisseur du mur est supérieure à 19,1 mm (3/4 po). | • Pour que l'outil étalonne et fonctionne correctement, l'épaisseur du mur doit être inférieure à 19,1 mm (3/4 po). |
| • Les témoins à DEL s'allument trop souvent. | • L'outil détecte d'autres objets et non des montants. • L'outil balaye trop près de fils électriques ou de tuyaux en métal ou en plastique ou ces derniers touchent la face arrière du mur. | • Puisque l'espace entre chaque montant varie généralement entre 406 et 610 mm (16 et 24 po), et que ceux-ci mesurent près de 38 mm (1 1/2 po) de largeur, il faut tenir compte du fait qu'ils sont peut-être plus rapprochés ou qu'ils sont de largeurs différentes. |
| • Les traits laser n'apparaissent pas sur le mur. | • La pile s'est affaiblie. • La portée de l'unité est de +/- 5 degrés; s'il est maintenu à plus de 5 degrés de la verticale, ses traits ne se projettent pas sur le mur. | • Remplacer la pile par une pile bien chargée. • S'assurer que l'unité est placée le plus possible à la verticale. |
| • Les traits laser apparaissent sur le mur, mais ne sont pas droits. | • Le mur sur lequel est fixée ou maintenue l'unité doit présenter une verticale de +/- 5 degrés, sans quoi le mécanisme autoniveleur ne fonctionnera pas correctement; si l'inclinaison est supérieure à cette mesure, les traits ne seront pas de niveau. • Le bouton marche-arrêt doit être complètement poussé à la position de marche. | • Utiliser l'unité contre un mur vertical seulement, car les traits ne seront pas de niveau sur un mur incliné ou toute autre surface non verticale. • S'assurer que le bouton marche-arrêt est complètement poussé à la position de marche. |
| • L'outil détecte difficilement le métal. | • La pile s'est affaiblie. • L'outil a été étalonné au niveau du métal. • Les objets en métal sont trop profonds. | • Remplacer la pile par une pile bien chargée. • Éviter d'étalonner l'outil au niveau du métal; toujours l'éloigner du mur lors de l'étalonnage pour obtenir la meilleure sensibilité. |
| • Bien qu'une défectuosité au niveau des fils électriques soit soupçonnée, aucune n'est détectée. | • La pile s'est affaiblie. • Si les fils sont protégés derrière un couvre-mur métallique ou dissimulés dans un conduit en métal, l'outil ne pourra pas les détecter. • Les fils peuvent être « hors tension ». • Les fils peuvent être installés trop profondément pour être détectés. • Faire preuve d'une grande prudence en présence de contreplaqué, de renforts en bois épais placés derrière une cloison ou un mur plus épais que d'habitude. | • Remplacer la pile par une pile bien chargée. • Lorsque la prise fonctionne au moyen d'un interrupteur, s'assurer que ce dernier est en position de marche. Sinon, l'outil ne fonctionnera pas. |

⚠ AVERTISSEMENT : Toujours couper le courant électrique avant de travailler à proximité de fils électriques.

Rangement

Toujours ranger ce produit à l'intérieur, dans son étui de protection.

Entretien

Nettoyer l'outil au moyen d'un savon doux et d'un linge humide seulement. Ne jamais laisser de liquide s'infiltrer à l'intérieur de l'outil ni tremper ce dernier dans un liquide quelconque.

IMPORTANT : Pour assurer la SÉCURITÉ et la FIABILITÉ de ce produit, toutes les opérations de réparation, d'entretien et de réglage (autres que celles décrites aux présentes) doivent être effectuées dans un centre de service autorisé ou par du personnel qualifié; on ne doit utiliser que des pièces de rechange identiques.

Accessoires

Les accessoires recommandés pour cet outil sont vendus séparément chez les dépositaires locaux ou aux centres de service autorisés. Pour obtenir plus d'information sur les accessoires, composer le : **1 800 544-6986 (1-800-54-HOW-TO).**

⚠ AVERTISSEMENT : l'usage d'un accessoire avec cet outil non recommandé peut présenter un danger.

Avertissement de la FCC

Ce dispositif est conforme aux dispositions de la partie 15 des règlements de la FCC.

Le fonctionnement doit respecter les deux conditions suivantes :

- (1) ce dispositif ne doit pas causer de brouillage nuisible, et
- (2) ce dispositif doit accepter tout brouillage qu'il reçoit, y compris celui qui cause un fonctionnement indésirable.

Information sur les services

Tous les centres de service Black & Decker sont dotés de personnel qualifié en matière d'outillage électrique; ils sont donc en mesure d'offrir à leur clientèle un service efficace et fiable. Pour obtenir un conseil technique ou une pièce d'origine ou pour faire réparer un outil, on peut communiquer avec le centre Black & Decker le plus près. Pour obtenir le numéro de téléphone, consulter les pages jaunes sous la rubrique «Outils - électriques» ou composer le **1 800 544-6986 (1 800 54-HOW TO).**

Garantie complète de deux ans pour usage résidentiel

Black & Decker (U.S.) Inc. garantit ce produit pour une période de deux ans contre tout défaut de matériel ou de fabrication. Le produit défectueux sera remplacé ou réparé sans frais, suivant l'une des deux méthodes suivantes.

La première méthode consiste en un échange seulement. On doit retourner le produit au détaillant qui l'a vendu (pourvu qu'il s'agisse d'un détaillant participant), en respectant les délais stipulés dans sa politique relative aux échanges (normalement de 30 à 90 jours après la vente). Une preuve d'achat peut être requise. On doit vérifier la politique de retour du détaillant pour tout produit retourné après le délai prescrit pour les échanges.

La deuxième méthode consiste à apporter ou à envoyer le produit (prépayé) à un centre Black & Decker ou à un centre de service autorisé aux fins de réparation ou de remplacement, selon notre choix. Une preuve d'achat peut être requise. Les centres Black & Decker et les centres de service autorisés sont répertoriés dans les pages jaunes sous la rubrique «Outils - électriques».

Cette garantie ne s'applique pas aux accessoires. Elle confère des droits légaux particuliers à l'acheteur, mais celui-ci pourrait aussi bénéficier d'autres droits variant d'un état à l'autre.

Toute question doit être adressée au gérant du centre Black & Decker le plus près. Ce produit n'est pas destiné à un usage commercial.

REPLACEMENT GRATUIT DE L'ÉTIQUETTE D'AVERTISSEMENT : En cas de perte ou d'endommagement des étiquettes d'avertissement, composer le **1 800 544-6986** afin d'en obtenir de nouvelles sans frais.

Imported by / Importé par
Black & Decker Canada Inc.
100 Central Ave.
Brockville (Ontario) K6V 5W6

Voir la rubrique "Outils électriques"
des Pages Jaunes
pour le service et les ventes.



Nivel láser / Detector de pies derechos - metal
- instalaciones eléctricas de AC Bullseye^{MC}

MANUAL DE INSTRUCCIONES

Catálogo No. BDL110S

**ANTES DE DEVOLVER ESTE PRODUCTO
POR CUALQUIER MOTIVO, FAVOR
LLAMAR AL 1-800-544-6986**

DE TENER ALGÚN PROBLEMA CON SU PRODUCTO BLACK & DECKER,
FAVOR LLAMAR AL 1-800-54-HOW-TO (544-6986)
ANTES DE LLAMAR, TENGA LA SIGUIENTE INFORMACIÓN
DISPONIBLE. No. de CATALOGO, TIPO No., Y CÓDIGO DE FECHA (p.ej.
20000130M). EN LA MAYORÍA DE LOS CASOS, UN REPRESENTANTE
DE BLACK & DECKER LE PUEDE RESOLVER SU PROBLEMA
TELEFÓNICAMENTE. SI TIENE UNA SUGERENCIA O COMENTARIO,
LLÁMENOS. SU APORTE ES VITAL PARA BLACK & DECKER.

⚠ ADVERTENCIA: Lea todas las instrucciones hasta comprenderlas. No ajustarse-- a las - instrucciones- siguientes- puede ser causa de choque eléctrico, incendio o lesiones graves.

CONSERVE ESTAS INSTRUCCIONES

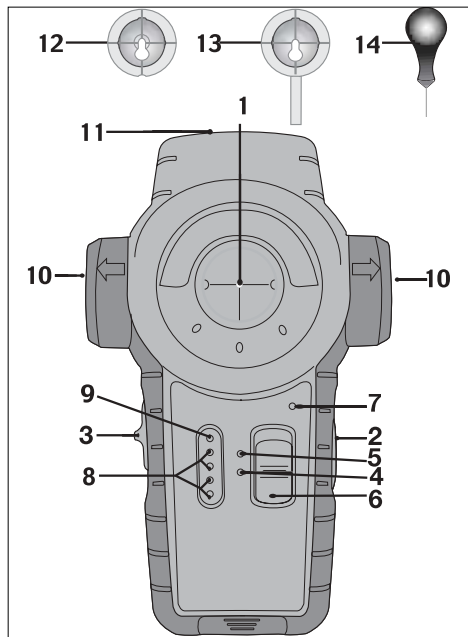
Instrucciones de seguridad

- No opere el láser en ambientes explosivos, tales como en presencia de líquidos, gases o polvos inflamables.
- Sólo utilice las pilas específicamente designadas para el láser. El uso de cualquier otro tipo de pila puede crear un riesgo de incendio.
- Cuando no esté en uso, almacene el láser fuera del alcance de niños y otras personas no capacitadas en su funcionamiento. Los láseres son peligrosos en manos de personas no capacitadas.
- Utilice sólo aquellos accesorios que hayan sido recomendados por el fabricante para su modelo. Algunos accesorios pueden ser apropiados para un modelo de láser pero pueden crear un riesgo de lesión cuando se utilizan con otro modelo.
- No utilice herramientas ópticas tales como telescopios o niveles topográficos para ver el rayo láser. Esto podría resultar en graves lesiones oculares.
- No sitúe el láser en una posición que pudiera resultar, ya sea intencionadamente o sin querer, en que alguien mire directamente el rayo láser. Esto podría resultar en graves lesiones oculares.
- Apague el láser cuando no esté en uso. Si lo deja encendido, aumenta el riesgo de que alguien mire directamente al rayo láser.
- Toda reparación o servicio técnico DEBE ser realizado por un centro de servicio calificado. Reparaciones realizadas por personal no calificado podrían resultar en lesiones graves.
- **⚠ ADVERTENCIA: NO DESARME EL LÁSER.** No contiene piezas que puedan ser reparadas por el usuario. Si desarma el láser, toda garantía del producto quedará nula. No modifique el producto de ninguna forma. La modificación de la herramienta puede resultar en una peligrosa exposición a radiación láser.
- No opere el láser en la presencia de niños ni permita que niños operen el láser. Esto podría resultar en graves lesiones oculares.
- No quite ni escriba sobre las etiquetas de advertencia. El hacer esto aumenta el riesgo de exposición a radiación.
- Ponga el láser en un lugar seguro. Si el láser se cayera, podría dañarse o causar lesiones graves.
- **⚠ PRECAUCIÓN:** Ocasionalmente las tuberías e instalaciones eléctricas pueden no ser detectadas por este producto. El sensor no detectará los cables cargados que se encuentren dentro cañerías o ductos de metal, detrás de revestimientos metálicos de las paredes o detrás de algunos materiales de contrachapado u otros materiales densos.
- **⚠ PRECAUCIÓN:** El grosor y tipo de material, su contenido de humedad y otras variables pueden afectar los resultados de detección. El sensor puede detectar instalaciones eléctricas o tuberías en la misma forma que detecta pies derechos, dependiendo de su ubicación con respecto a la superficie de la pared. Tenga cautela cuando taladre, clave o corte a través de paredes, suelos y techos que puedan contener cableado eléctrico o cañerías. Estos puntos pueden ser detectados por el sensor en la misma manera en que detecta pies derechos. Los pies derechos de las paredes generalmente se encuentran en intervalos de 406 ó 610 mm (16 ó 24 pulgadas) y tienen 38 mm (1-1/2 pulgadas.) de ancho. Por este motivo, tenga cuidado si encuentra algo en intervalos menores o de diferente ancho. Siempre corte la electricidad cuando trabaje cerca de cables eléctricos.
- **⚠ PRECAUCIÓN:** El uso de los controles, su ajuste o realización de otros procedimientos, fuera de los especificados en este manual, puede resultar en una peligrosa exposición a radiación láser.
- Este producto ha sido diseñado para ser utilizado en un rango de temperatura de 5 °C (41 °F) - 40 °C (104 °F).

La etiqueta de su herramienta puede incluir los siguientes símbolos:

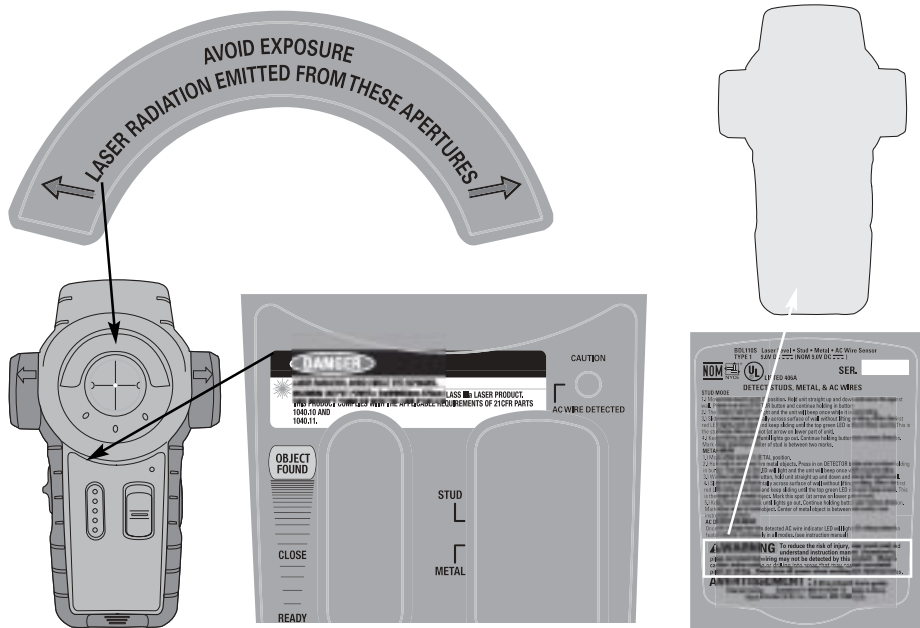
Vvoltios mW.....milivatios
nmlongitud de onda en IIIa.....láser Clase IIIa
nanómetros

CARACTERÍSTICAS



- 1.) Accesorio de marcado/colgado
- 2.) Botón de detección
- 3.) Botón de encendido y apagado del láser
- 4.) Posición metal
- 5.) Posición stud
- 6.) Conmutador deslizante
- 7.) Indicador LED de cables de AC
- 8.) LED (Diodos fotoemisores) rojos
- 9.) LED verde
- 10.) Líneas de láser de autonivelación
- 11.) Cubierta del compartimento de pilas
- 12.) Accesorio de colgado (tipo ojo de cerradura)
- 13.) Accesorio espaciador
- 14.) Clavija de muro seco

Para su conveniencia y seguridad, su láser tiene las siguientes etiquetas.



Instalación de la pila

Asegúrese que el conmutador de encendido y apagado del láser esté apagado. Retire la tapa del compartimento de pilas (11) presionando el centro de la tapa como lo muestra la Figura 2 y tirando hacia atrás. Inserte una pila de 9 voltios nueva y asegúrese de hacer corresponder los terminales (+) y (-) correctamente. Reponga la cubierta del compartimento de pilas.

Instrucciones de funcionamiento

Detección

Los elementos de detección para todas las modalidades de uso se encuentran en la parte inferior de la unidad.

Modalidad de pies derechos

Para la detección de pies derechos a través de paredes de muro seco de hasta 19 mm (3/4 pulg.) de grosor.

- 1.) Deslice el conmutador (6) a la posición STUD (5). Sostenga el dispositivo derecho y póngalo contra la pared, como lo muestra la Figura 3. Presione el botón de detección (2) y siga sosteniendo el botón.
- 2.) El LED rojo inferior (8) se iluminará y la unidad emitirá un 'bip' mientras se calibra.
- 3.) Deslice el dispositivo lentamente, como lo muestra la Figura 4, en forma horizontal por la superficie de la pared, sin levantarlo ni inclinarlo. Cuando el primer LED rojo se ilumine, vaya más despacio y siga deslizando hasta que el LED verde superior (9) se ilumine y emita sonidos 'bip', como lo muestra la Figura 5. Esto corresponderá al borde del pie derecho. Marque este punto (en la flecha de la parte inferior de la unidad).
- 4.) Deslícelo, pasando la marca, hasta que las luces se apaguen. Con el botón aún sostenido, deslícelo en la dirección contraria. Marque el otro borde del pie derecho. El centro del pie derecho se encuentra entre ambas marcas.

Modalidad metálica

Para metales (hierro, etc.) detecta incluso a través de muro seco de 51 mm (2 pulg.). Para metales (cobre, etc.) detecta incluso a través de muro seco de 25 mm (1 pulg.).

- 1.) Deslice el conmutador (6) a la posición METAL (4).
- 2.) Sostenga la unidad alejándola de objetos metálicos. Presione el botón de detección (2) y sostenga el botón. El LED rojo inferior (8) se iluminará y la unidad emitirá un 'bip' mientras se calibra.
- 3.) Sin soltar el botón, sostenga el dispositivo derecho y póngalo contra la pared, como lo muestra la Figura 3.
- 4.) Deslice el dispositivo lentamente, como lo muestra la Figura 4, en forma horizontal por la superficie de la pared, sin levantarlo ni inclinarlo. Cuando el primer LED rojo se ilumine, vaya más despacio y siga deslizando hasta que el LED verde superior (9) se ilumine y emita sonidos 'bip', como lo muestra la Figura 5. Este es el borde del objeto metálico. Marque este punto (en la flecha de la parte inferior de la unidad).
- 5.) Deslícelo, pasando la marca, hasta que las luces se apaguen. Con el botón aún sostenido, deslícelo en la dirección contraria. Marque el otro borde del objeto metálico. El centro del objeto metálico se encuentra entre las dos marcas.

Nota: Debería escanear tanto vertical como horizontalmente, como lo muestra la Figura 6, ya que las tuberías u objetos de metal pueden encontrarse orientadas tanto vertical como horizontalmente detrás de la pared.

Modalidad de detección de corriente alterna (AC)

El sensor detecta voltaje de AC y sólo identifica cables cargados. El rasgo de detección de voltaje de AC funciona continuamente en todas las modalidades. Ayuda a identificar cuando el sensor está cerca de instalaciones eléctricas de AC cargadas y el botón de detección (2) está presionado. Una vez que se haya detectado voltaje de AC, se iluminará el indicador LED (7) de cables de AC.

Si la unidad ha sido calibrada cerca de un cable de AC, puede disminuir la sensibilidad del sensor de instalaciones eléctricas de AC. La carga estática puede desplazar la detección en 30,4 cm (12 pulg.) a ambos lados del cable.

ADVERTENCIA: Ocasionalmente las tuberías e instalaciones eléctricas pueden no ser detectadas por este producto. Tenga cautela cuando corte o taladre en áreas que pudieran contener tuberías o instalaciones eléctricas ocultas. El sensor no detectará los cables cargados que se encuentren dentro de cañerías o ductos de metal, detrás de revestimientos metálicos de las paredes o detrás de algunos materiales de contrachapado u otros materiales densos. Tenga cautela si el área tiene contrachapado, un refuerzo de madera gruesa detrás de la pared o es más gruesa que las paredes normales.

ADVERTENCIA: CORTE SIEMPRE LA CORRIENTE CUANDO TRABAJE CERCA DE INSTALACIONES ELÉCTRICAS; DE LO CONTRARIO PODRÍA CAUSAR UNA DESCARGA ELÉCTRICA.

Láser

Ponga la unidad contra la pared, como lo muestra la Figura 3. Presione el botón de encendido y apagado del láser (3) hacia arriba para activar las líneas láser de autonivelación. Para colgar la unidad de la pared, empuje la clavija (14) por el accesorio de marcado insertándola en el muro seco como lo muestra la Figura 7. Cuando inserte la clavija en el muro seco, asegúrese que esté recta y firmemente ubicada dentro del accesorio de marcado y que la unidad esté firme sobre la pared.

PRECAUCIÓN: La clavija tiene una punta afilada por lo que debe ser manejada con cuidado. **NOTA:** La clavija de muro seco sólo puede ser utilizada con el accesorio de marcado (1) y sólo con muros secos. NO debe ser utilizada en otras superficies, incluyendo el yeso. Para superficies que no sean de muro seco, puede utilizarse el accesorio de colgado (tipo ojo de cerradura) (12) con un tornillo o clavo estándar en un orificio previamente taladrado. Asegúrese que esté recto y firmemente alojado dentro del accesorio y que la unidad esté firme sobre la pared. La clavija de muro seco jamás debería ser insertada con la ayuda de un martillo sino siempre con la mano. Para retirar el accesorio, empujelo hacia afuera por la parte delantera de la unidad.

La Figura 8 ilustra una aplicación típica del Nivel láser Bullseye cuando está montado sobre la pared. Cuando no se tiene buena visibilidad o cuando se utilice el láser afuera, utilice el accesorio de marcado (1) para realzar la línea del láser, como se muestra en la Figura 9. Para extender la línea, utilice el accesorio espaciador (13) el cual se muestra en la Figura 10. **NOTA:** El sensor de pies derechos no puede ser utilizado cuando se use el accesorio espaciador ya que este mantiene la unidad alejada de la pared.

PELIGRO: Radiación láser. Evite la exposición directa con los ojos.

Consejos prácticos

- Si la luz del láser se hace tenue o ya no es visible cuando el conmutador está en la posición 'on' (encendido), revise o cambie la pila.
- Las líneas láser sólo indican nivel en la pared contra la cual se sostiene o cuelga la unidad. La línea corta que se puede ver proyectada contra cualquier pared contigua no indica nivel.
- La unidad láser es sólo para uso con paredes y sólo genera líneas niveladas cuando se sostiene contra una superficie vertical.
- La unidad láser viene equipada con un bloqueo de péndulo autonivelante que detiene el movimiento pendular cuando el conmutador de encendido y apagado del láser se coloque en la posición off.
- Si el conmutador de encendido y apagado del láser está parcialmente empujado hacia la posición on, las líneas láser pueden quedar encendidas mientras el bloqueo de péndulo aún está activado.
- Sostenga el buscador de pies derechos en forma recta.
- Los pies derechos de las paredes generalmente se encuentran en intervalos de 406 ó 610 mm (16 ó 24 pulgadas) y tienen 38 mm (1-1/2 pulgadas) de ancho. Por este motivo, tenga cuidado si encuentra algo en intervalos menores o de diferente ancho. Los pies derechos y tizones de puertas y ventanas se encuentran en intervalos menores.
- Evite usarlo con materiales de densidad irregular tales como:
 - Alfombra y fieltro
 - Baldosa de cerámica
 - Papel mural que contenga láminas o fibras metálicas. El funcionamiento del dispositivo no se verá generalmente afectado en la exploración de superficies cubiertas con papel mural regular o tela.
 - Paredes recién pintadas aún húmedas.
 - Paredes de listones y yeso excesivamente gruesas.

GUÍA DE RESOLUCIÓN DE PROBLEMAS

| Problema | Posible causa | Solución |
|------------------------------------------------------------------------------|-------------------------------------------------------------------------------------------------------------------------------------------------------------------------------------------------------------------------------------------------------------------------------------------------------------------------------------------------------------------------------------------------------------------------------------|---------------------------------------------------------------------------------------------------------------------------------------------------------------------------------------------------------------------------------------------------------|
| • Los LED no se iluminan. | • La pila está gastada • No hay nada que detectar en esa área. • Revise la modalidad. Puede haber sido calibrada sobre un pie derecho. | • Cambie la pila. • Comience de nuevo alcanzando una mayor distancia a cada lado. |
| • Las luces LED y los tonos se mantienen encendidos. | • La pared tiene un grosor de más de 19,1 mm (3/4 de pulgada). | • El grosor debe ser menor a 19,1 mm (3/4 de pulgada) para que el dispositivo pueda calibrarse y funcionar debidamente. |
| • Los LED se iluminan en demasiados lugares. | • Detecta otros objetos, además de los pies derechos. • Puede que haya cableado eléctrico y cañerías de metal o plástico cerca de o tocando la superficie posterior de la pared. | • Los pies derechos de las paredes generalmente se encuentran en intervalos de 406 ó 610 mm (16 ó 24 pulgadas) y tienen 38 mm (1-1/2 pulgadas) de ancho. Por este motivo, tenga cuidado si encuentra algo en intervalos menores o de diferente ancho. |
| • El láser no se proyecta sobre la pared. | • La pila está gastada. • El rango de autonivelación de la unidad es de +/- 5 grados; si la unidad no se sostiene a 5 grados o menos de distancia de la vertical las líneas del láser no se proyectarán sobre la pared. | • Cambie la pila. • Asegúrese que la unidad esté lo más recta posible. |
| • El láser se proyecta sobre la pared pero las líneas no están niveladas. | • La pared sobre la cual la unidad está montada o sostenida debe estar a +/- 5 grados de la vertical para que el mecanismo de autonivelación funcione correctamente. Si se excede, las líneas aún se proyectarán pero pueden no estar niveladas. • El conmutador de encendido y apagado del láser debe ser empujado a la posición on completamente. | • Use la unidad sólo contra paredes verticales. Las líneas no estarán niveladas sobre paredes en declive u otras superficies no verticales. • Asegúrese que el conmutador de encendido y apagado del láser esté en la posición on completamente. |
| • Dificultad en la detección de metal. | • La pila está gastada • La unidad fue calibrada sobre el metal. • Los objetos de metal se encuentran demasiado profundamente alojados en la pared. | • Cambie la pila. • Evite calibrar sobre metal y siempre calibre en el aire para obtener la mejor sensibilidad. |
| • Sospecha que hay cableado eléctrico pero no lo detecta con el dispositivo. | • La pila está gastada • Si los cables están escondidos detrás de un revestimiento metálico de las paredes o en ductos metálicos, el sensor no podrá detectarlos. • Los cables pueden no estar cargados • Los cables pueden encontrarse demasiado profundos para ser detectados. • Tenga cautela si el área tiene contrachapado, un refuerzo de madera gruesa detrás de la pared o más grueso que las paredes normales. | • Cambie la pila. • Si el conmutador controla una toma de corriente, asegúrese que esté ENCENDIDO para ser detectado. |

ADVERTENCIA: Siempre corte la electricidad cuando trabaje cerca de cables eléctricos

Almacenamiento

Almacene siempre este producto bajo techo y en su caja protectora.

Mantenimiento

Para limpiar la herramienta, sólo utilice un paño húmedo y jabón suave. Jamás permita que le entre líquido a la herramienta; nunca sumerja ninguna parte de la herramienta.

IMPORTANTE: Las reparaciones, el mantenimiento y los ajustes del dispositivo (fuera de los mencionados en este documento) deberán ser realizados por centros de servicio autorizados u otras organizaciones de servicio calificadas, utilizando siempre repuestos idénticos, para asegurar la SEGURIDAD y FIABILIDAD de la unidad.

Accesorios

Los accesorios que se recomiendan usar con su herramienta están disponibles donde su distribuidor o centro de servicio autorizado local. De necesitar asistencia para obtener un accesorio, favor llamar a: **1 800 544-6986 (1-800-54-HOW-TO)**.

⚠ ADVERTENCIA: El uso de cualquier accesorio que no sea recomendado para ser utilizado con esta herramienta podría ser peligroso.

Advertencia FCC

Este dispositivo cumple con la sección 15 de las normas de la FCC. Su operación está sujeta a las siguientes dos condiciones: (1) Este dispositivo no puede causar interferencia dañina y (2) este dispositivo debe aceptar cualquier interferencia que reciba, incluyendo aquella interferencia que pudiera causar una operación no deseada.

Información de servicio

Todos los Centros de Servicio Black & Decker están dotados de personal capacitado para proporcionar un servicio técnico eficiente y fiable a las máquinas herramientas de nuestros clientes. Contacte al local Black & Decker más cercano para obtener consejos técnicos, reparaciones o repuestos de fábrica originales. Para encontrar el local de servicio más cercano, busque en las páginas amarillas bajo "Herramientas eléctricas" o llame al **1-800-544-6986 (1-800-54-HOW TO)**.

Garantía completa de dos años para uso doméstico

Black & Decker (U.S.) Inc. garantiza este producto por dos años contra cualquier defecto en su material o fabricación. Existen dos opciones para reemplazar o reparar el producto defectuoso, sin costo.

La primera, la cual resultará sólo en un cambio, es devolver el producto al vendedor del cual fue comprado (siempre que sea un local participante). Las devoluciones deberán realizarse durante el plazo especificado en la política de devoluciones del vendedor (generalmente entre 30 y 90 días después de la fecha de compra). Puede que sea necesario presentar prueba de compra. Por favor averigüe cuál es la política del vendedor para devoluciones efectuadas más allá del plazo para cambios.

La segunda opción es llevar o enviar el producto (con franqueo pagado) a un Centro de Servicio autorizado o al Centro de Servicio Black & Decker para su reparación o reemplazo, a decisión nuestra. Puede que sea necesario presentar prueba de compra. Los Centros de Servicio autorizados y Centros de Servicio Black & Decker se encuentran en las páginas amarillas bajo "Herramientas eléctricas".

Esta garantía no aplica a los accesorios. Esta garantía le da derechos legales específicos además de los cuales puede tener otros, los cuales varían entre estados. Si tuviese alguna pregunta, contacte al gerente de su Centro de Servicio Black & Decker más cercano.

Este producto no es para uso comercial.

SUSTITUCIÓN GRATUITA DE LAS ETIQUETAS DE ADVERTENCIA: Si sus etiquetas de advertencia se vuelven ilegibles o se pierden, llame al **1-800-544-6986** para conseguir repuestos gratuitos.

PARA REPARACION Y SERVICIO DE SUS HERRAMIENTAS ELECTRICAS FAVOR DE DIRIGIRSE AL CENTRO DE SERVICIO MAS CERCANO

| | | |
|------------------|--------------------------------------|------------------|
| CULIACAN | Av. Nicolas Bravo #1063 Sur | (56 77) 12 42 10 |
| GAUDALAJARA | Av. La Paz #1770 | (33 38) 26 69 78 |
| LEON | Polara #32 | (47 77) 13 14 56 |
| MEXICO | Sonora #134 Hipodromo Condesa | (55 55) 53 99 79 |
| MERIDA | Calle 63 #459 | (99 99) 23 54 90 |
| MONTERREY | Av. Francisco I. Madero Pte. 1820-A | (81 83) 72 11 25 |
| PUEBLA | 17 Norte #2057 | (22 22) 46 90 20 |
| QUERETARO | Av. Madero 139 Pte. | (44 22) 14 60 60 |
| SAN LOUIS POTOSI | Pedro Moreno #408 Fracc. la Victoria | (44 48) 14 25 67 |
| TORREON | Blvd. Independencia, 96 pte. | (87 17) 16 52 65 |
| VERACRUZ | Prolongación Diaz Miron #4280 | (29 99) 21 70 18 |
| VILLAHERMOSA | Zaragoza #105 | (99 33) 12 53 17 |

PARA OTRAS LOCALIDADES LLAME AL: (55) 5326-7100 INFORMACIÓN DE SERVICIO

Epecificaciones

BDL110S

Tensión de alimentación 9,0V

Para servicio y ventas consulte
"HERRAMIENTAS ELECTRICAS"
en la sección amarilla.



IMPORTADOR: BLACK & DECKER S.A. DE C.V.
BOSQUES DE CIDROS ACCESO RADIATAS NO. 42
BOSQUES DE LAS LOMAS, 05120 MEXICO, D.F.
(55) 5326-7100